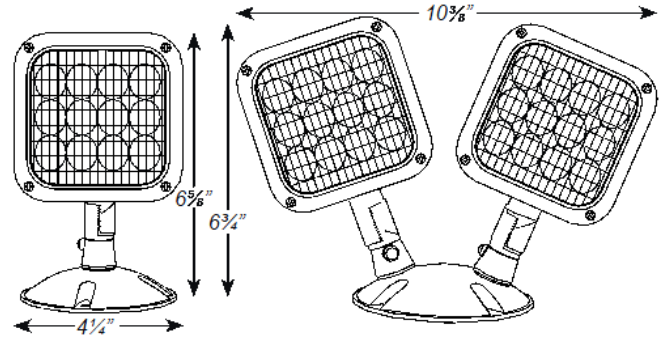


## DIMENSIONS:



### EL-RH1-WP EL-RH2-WP

## SQUARE LED REMOTE HEADS

### ELECTRICAL SPECIFICATIONS:

- Voltage: 3.6V/6V/9.9V/12VDC
- Wattage: 1W per head

### HOUSING SPECIFICATIONS:

- Injection-molded thermoplastic ABS housing
- White finish
- fully adjustable 1watt LED lamp heads
- Suitable fore damp location

### CERTIFICATIONS: UL



### WARRANTY: 3 years

MODEL	WATTS	VOLTAGE	NUMBER OF HEADS	HOUSING
EL-RH1-WP	1W Per head	3.6V/6V/9.9V/12VDC	1	White
EL-RH2-WP	1W Per head	3.6V/6V/9.9V/12VDC	2	White

